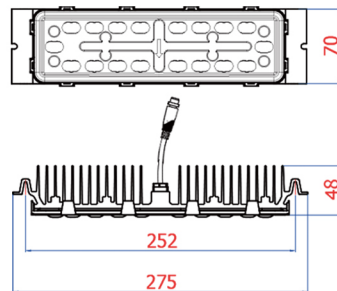


M series Optical Engines



M1U M2U M6U M8U M16U Optical Engines, with technical breakthroughs in heat dissipation, IP rates, lighting distribution and reliability, are independently designed by HueGO, including typical outdoor lighting applications, such as street lights, tunnel lights, spot/flood lights and high bay lights.

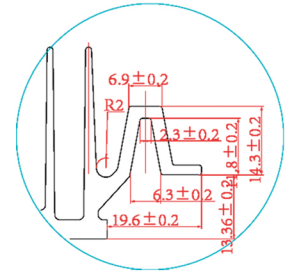
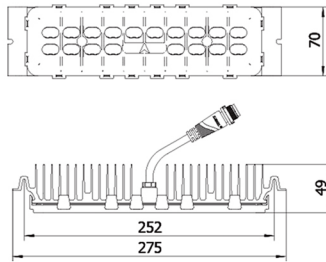
M1U Module



[Technical Parameters]

LED Brand	Lumileds
Luminous Efficacy of Module	95-135 lm/W
CCT	3000K 4000K 5000K 5700K
Dimension	275mmx70mmx48mm
IP Rating	IP68
Driving Current	350-1050mA
Connection of LED Unit	18 units in series
Waterproof Connector	2-pin, threaded, M15 (UL/TUV/SGS/CQC-Listed)
N.W.	0.67±0.03Kg

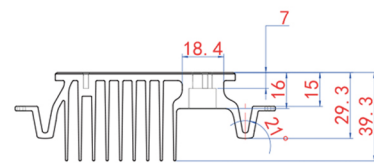
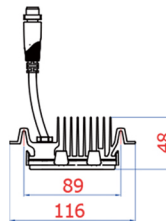
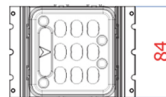
M2U Module



[Technical Parameters]

LED Brand	Lumileds
Luminous Efficacy of Module	95-135 lm/W
CCT	3000K 4000K 5000K 5700K
Dimension	275mmx70mmx49mm
IP Rating	IP68
Driving Current	350-1050mA
Connection of LED Unit	18 units in series
Waterproof Connector	2-pin, threaded, M15 (UL/TUV/SGS/CQC-Listed)
N.W.	0.67±0.03Kg

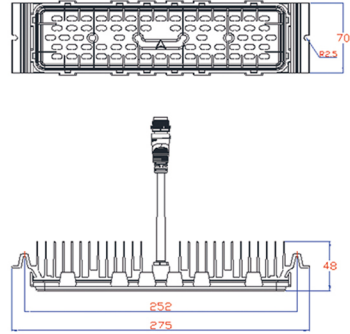
M6U Module



[Technical Parameters]

LED Brand	Lumileds
Luminous Efficacy of Module	95-135 lm/W
CCT	3000K 4000K 5000K 5700K
Dimension	116mmx84mmx48mm
IP Rating	IP68
Driving Current	350-1050mA
Connection of LED Unit	9 units in series
Waterproof Connector	2-pin, threaded, M15 (UL/TUV/SGS/CQC-Listed)
N.W.	0.36±0.03Kg

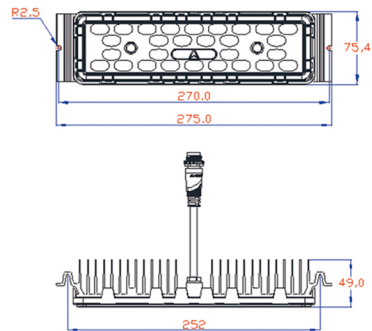
M8U Module



[Technical Parameters]

LED Brand	Lumileds
Luminous Efficacy of Module	95-135 lm/W
CCT	3000K 4000K 5000K 5700K
Dimension	275mmx70mmx48mm
IP Rating	IP68
Driving Current	350-1050mA
Connection of LED Unit	Network: 9 units in series x 7 in parallel
Waterproof Connector	2-pin, threaded, M15 (UL/TUV/SGS/CQC-Listed)
N.W.	0.67±0.03Kg

M16U Module



[Technical Parameters]

LED Brand	Customized chips from world-leading supplier
Luminous Efficacy of Module	140-170 lm/W
CCT	3000K 4000K 5000K 5700K
Dimension	275mmx75mmx49mm
IP Rating	IP68
Driving Current	350-1200mA
Connection of LED Unit	2 units in series x 14 in parallel
Waterproof Connector	2-pin, threaded, M15 (UL/TUV/SGS/CQC-Listed)
N.W.	0.67±0.05Kg

Efficacy of 3000K is 5% less than other CCT